

# STL2 SERIES OUTDOOR LIGHTING

STL2-100W-30K  
STL2-100W-50K



Selection:



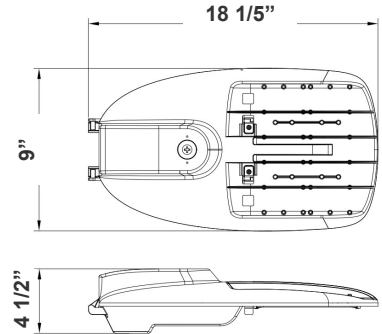
This outdoor lighting is ideal for general site lighting, street, roadway, alleys, loading docks, doorway, pathway, and parking areas

Customer Name: \_\_\_\_\_

Project Name: \_\_\_\_\_

Note: \_\_\_\_\_

Type: \_\_\_\_\_



18 1/5" (L) x 9" (W) x 4 1/2" (H)

## Features

- Light Grey Finish
- With NEMA twist-lock Photocell Socket (Shorting Cap included)
- 7-Year Warranty
- Outdoor Light

## Technical Specifications

### Electrical:

- Voltage: 120-277V; 60Hz AC
- Power Factor: >0.95
- Wattage: 100W
- Efficacy: 135 LPW

### Mechanical:

- Die-cast Aluminum with Powder Coat Finish (Light Grey)
- Cord Type: 40" SJTW 18/3 AWG Cable
- With 2-15/16" Diameter Pole Entry with Adapter Bracket Inside for Smaller Pole Diameters
- Maximum Ambient Temperature: 104°F
- Rated life: 50,000 hrs
- Wet Location
- IP Rating: IP65

### Lighting:

- Lens Type: Optical TYPE III Lens, High Light Transmittance PC, Anti-UV and Flame Resistant
- Dimming: 0-10 Dimming
- Driver Located in Isolated Compartment for Improved Thermal Management
- Total Lumens: 13500LM
- Color Temperatures: 3000K/5000K
- Color Rendering Index: CRI ≥ 70

### Applications:

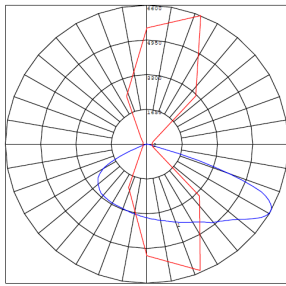
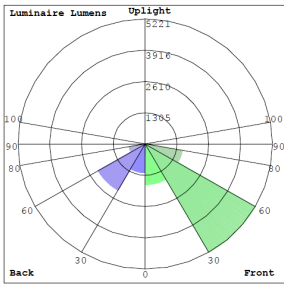
- Ideal for general site lighting, street, roadway, alleys, loading docks, doorway, pathway and parking areas

## Other Models:

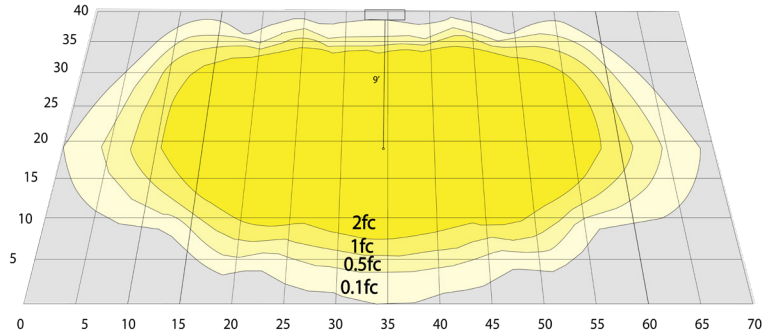
• 30W | 3900LM | STL2-30W-30K • 50W | 6500LM | STL2-50W-30K • 80W | 10800LM | STL2-80W-30K • 150W | 21000LM | STL2-150W-30K • 200W | 27000LM | STL2-200W-30K  
• 30W | 3900LM | STL2-30W-50K • 50W | 6500LM | STL2-50W-50K • 80W | 10800LM | STL2-80W-50K • 150W | 21000LM | STL2-150W-50K • 200W | 27000LM | STL2-200W-50K



## Photometrics: STL2-100W



BUG Rating: B3-U0-G2



Area 40' x 70' Mounting Height: 9'

## Other Views:



Side View



Front View



Back View



Mounting Hole View

## Performance Table: STL2-100W

MODEL NO.	Wattage	Voltage	Lumens	Color Temp.	BUG Rating	LPW
STL2-100W-30K	100W	120-277V	13500LM	3000K	B3-U0-G2	135
STL2-100W-50K	100W	120-277V	13500LM	5000K	B3-U0-G2	135

## Sample Ordering

Model	Watt	Color Temp.
STL2	100W	<input type="text"/>

30K = 3000K  
50K = 5000K

## Accessories:

Blank = No Option For Accessories  
 STL2-WMA = WALL MOUNTING ARM 12 3/4" LENGTH  
 PC-TWIST = 1800W TUNGSTEN TWIST LOCK PHOTOCELL

## Example:

- STL2-100W-30K (FOR STL2 100W 3000K OUTDOOR LIGHT FIXTURE 120-277V)
- STL2-100W-30K (FOR STL2 100W 3000K OUTDOOR LIGHT FIXTURE 120-277V)  
 STL2-WMA (FOR WALL MOUNTING ARM 12 3/4" LENGTH)

## ACCESSORIES:



STL2-WMA  
 WALL MOUNTING ARM  
 12 3/4" LENGTH



PC-TWIST  
 1800W TUNGSTEN TWIST LOCK  
 PHOTOCELL